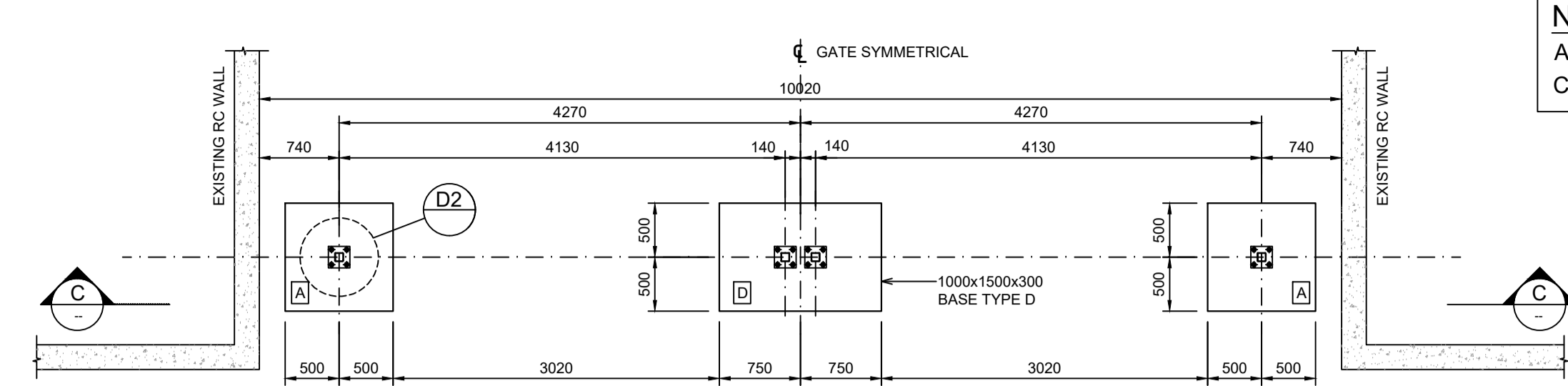


FOUNDATION PLAN - GATE AT NORTH END OF STATION

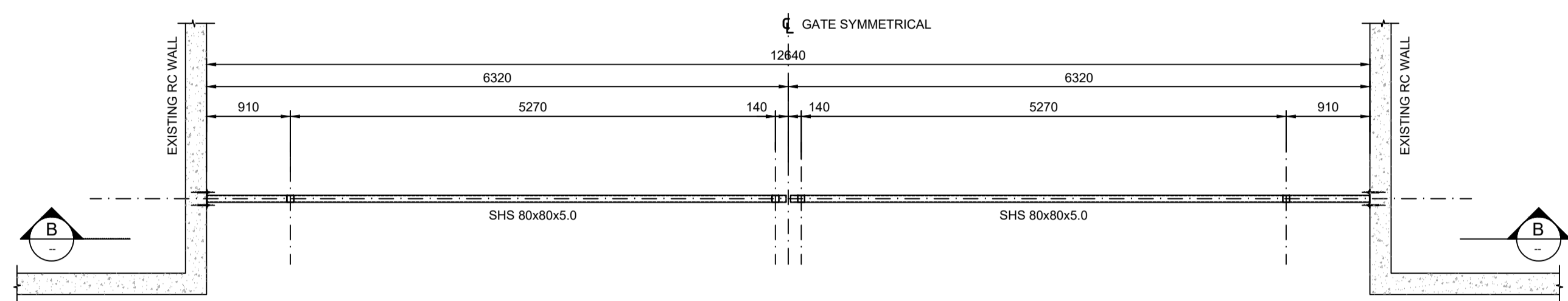
SCALE 1:50



FOUNDATION PLAN - GATE AT SOUTH END OF STATION

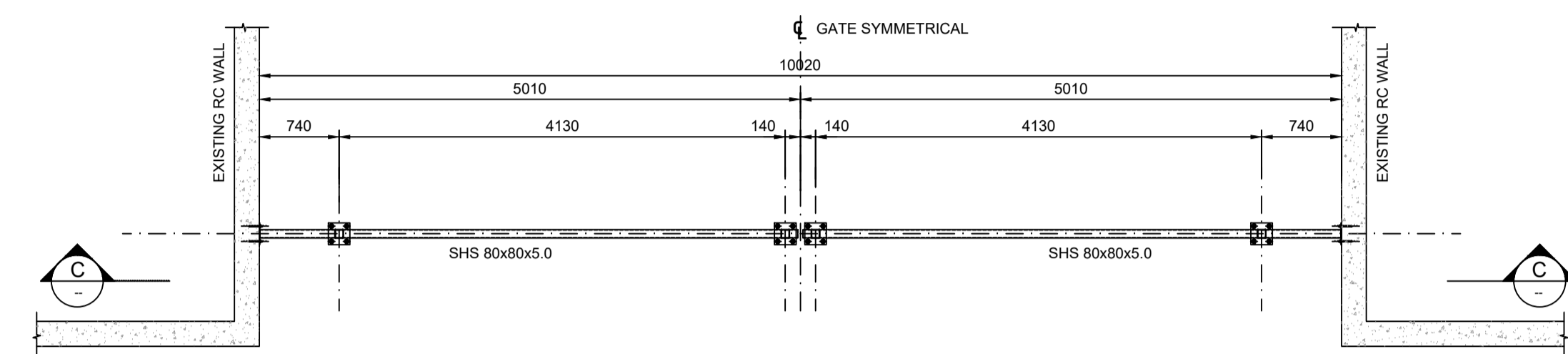
SCALE 1:50

NOTE:
ALL DIMENSIONS TO BE CONFIRMED ON SITE PRIOR TO COMMENCEMENT OF CONSTRUCTION OR FABRICATION



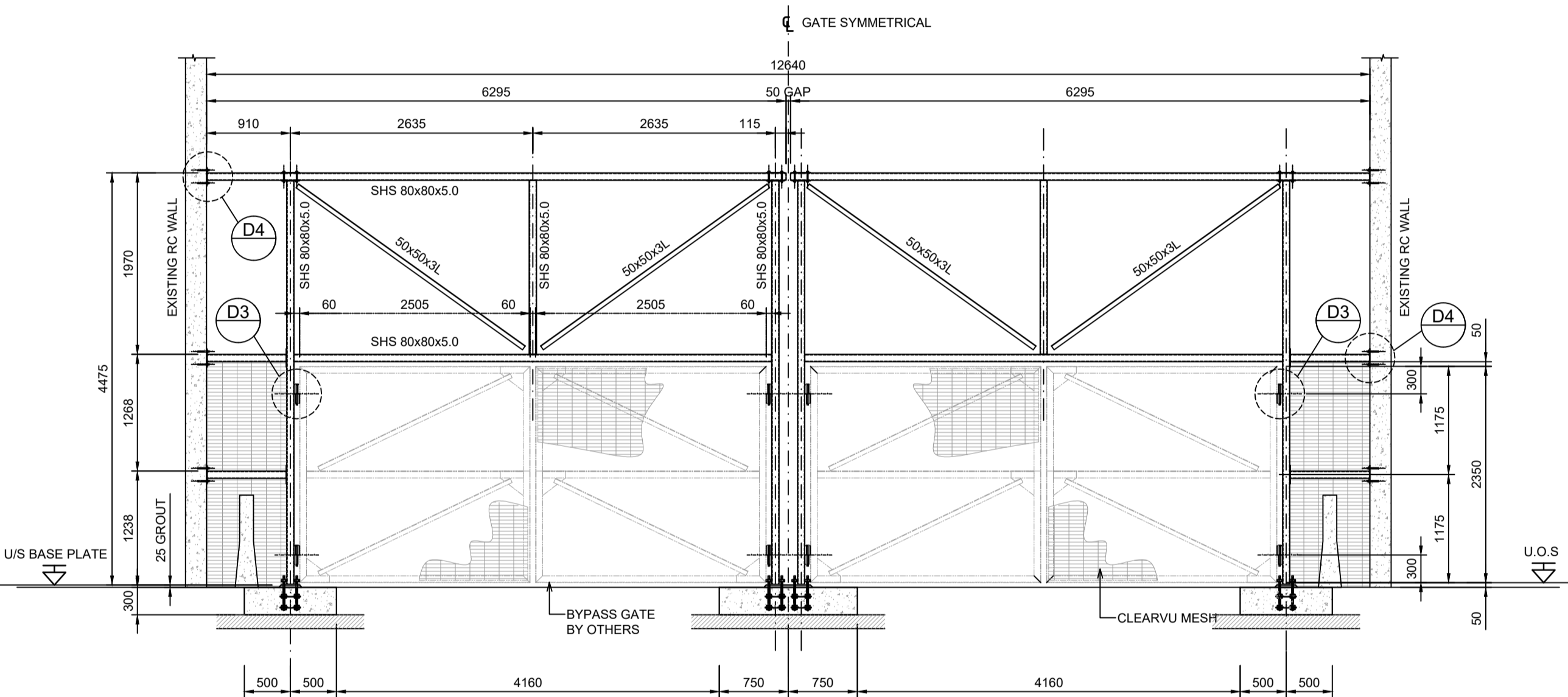
PLAN - GATE AT NORTH END OF STATION

SCALE 1:50



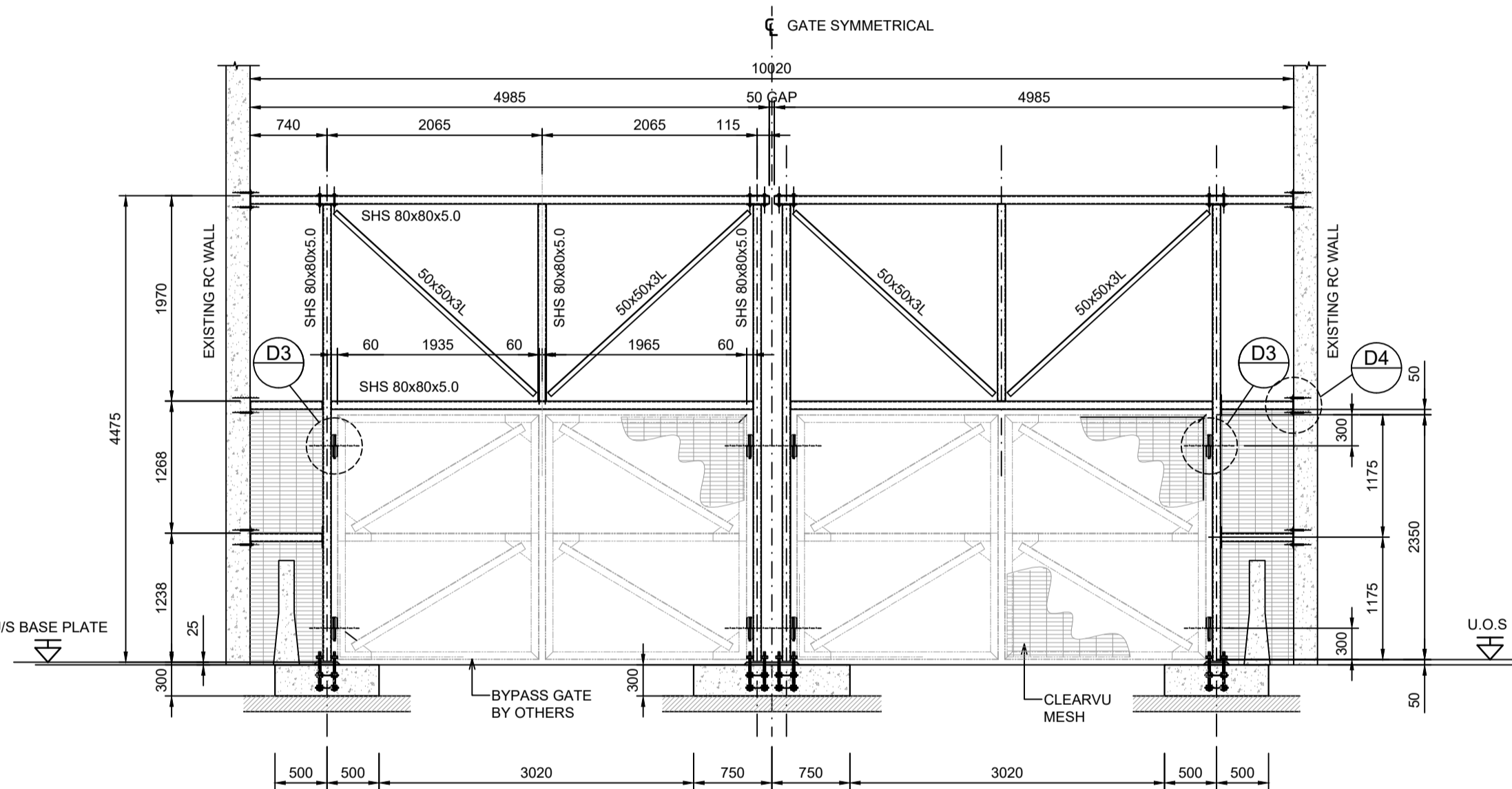
PLAN - GATE AT SOUTH END OF STATION

SCALE 1:50



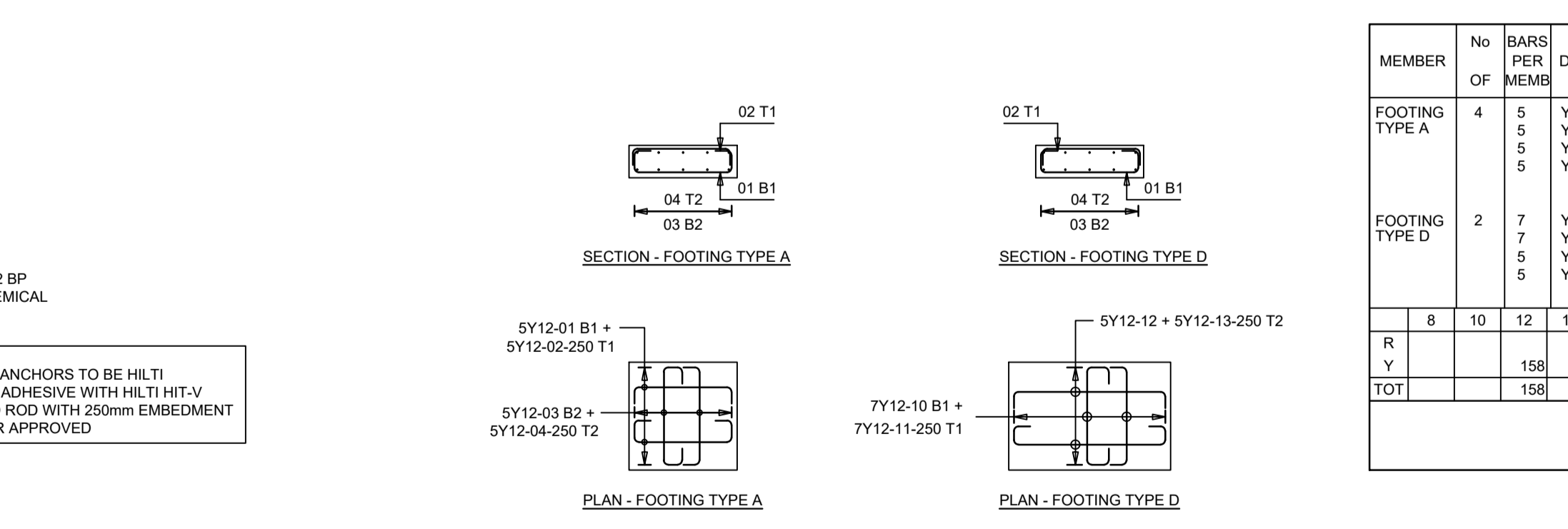
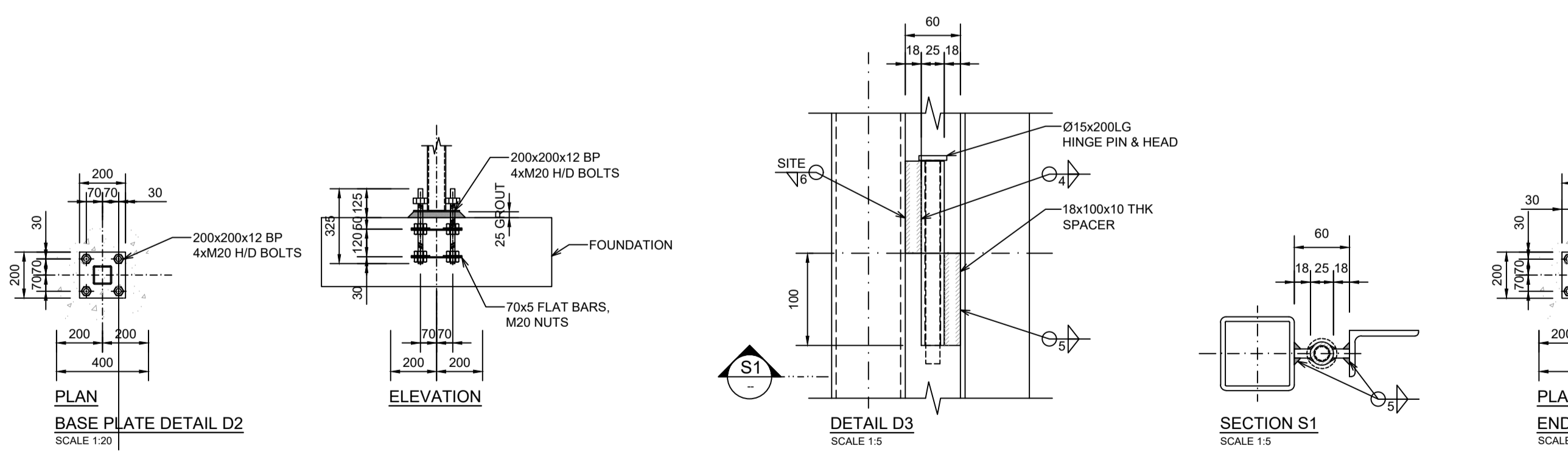
ELEVATION B-B

SCALE 1:50



ELEVATION C-C

SCALE 1:50



MEMBER	No OF	BARS PER MEMB	DIA.	LENGTH	TOTAL NUM-BER	MARK	S	C	BENDING				
									A	B	C	D	E/r
FOOTING TYPE A	4	5	Y12	1500	20	01	55	150	200	900	200	150	
	5	Y12	1150	20	02	38	150	900	150	150	150		
	5	Y12	1450	20	03	55	150	170	900	170	150		
	5	Y12	1150	20	04	38	150	900	150	150	150		
FOOTING TYPE D	2	7	Y12	1500	14	10	55	150	200	900	200	150	
	7	Y12	1150	14	11	38	150	900	150	150	150		
	5	Y12	1950	10	12	55	150	170	1400	170	150		
	5	Y12	1650	10	13	38	150	1400	150	150	150		
R	8	10	12	16	20	25	32	40	TOT	Date	2023-05-06		
Y									158	Det. by	T.M		
TOT									158	Ref Dwg	Job No		
FOOTING REINFORCEMENT										Revision	0		
										Schedule No	R-008		

CLIENT'S DETAILS

JDA
Johannesburg Development Agency

3 Helen Joseph
NEWTOWN, JOHANNESBURG
2000
JOHANNESBURG DEVELOPMENT AGENCY

REVISIONS

NR	DATE	APPROVED	DESCRIPTION	PAR
0	15/06/2023	JKM	ORIGINAL	

NOTES:

- THIS DRAWING IS TO BE READ IN CONJUNCTION WITH SABS 1200 STANDARDIZED SPECIFICATIONS AND THE PROJECT SPECIFICATIONS.
- PRIOR TO THE START OF CONSTRUCTION, ALL SERVICES WHICH ARE TO BE CROSSED MUST BE EXPOSED BY HAND TO CONFIRM THEIR POSITIONS AND LEVELS. ANY DISCREPANCY IS TO BE IMMEDIATELY REPORTED TO THE ENGINEER.
- A FULL SET OF MATERIAL TESTS (COMPACTION, CBR & UCS) REFLECTING COMPLIANCE WITH THE SPECIFICATIONS IS TO BE SUBMITTED TO THE ENGINEER FOR ONWARD TRANSMISSION TO THE EMPLOYER.
- INTERSECTION SERVICES TO BE EXPOSED, POSITIONS RECORDED AND ANY CLASHES IN POSITION WITH THE WORKS TO BE REPORTED TO THE ENGINEER PRIOR TO THE COMMENCEMENT OF CONSTRUCTION.

CONSULTANT'S DETAIL

KABE
CONSULTING ENGINEERS

218 Dr VAN DER MERWE DRIVE
MONTANA PARK
0182
Tel: 087 809 0982
Fax: 086 516 4728
e-mail: info@kabe.co.za

DESIGNED
NAME: B.N NKOKO
SIGNATURE: [Signature] DATE: 17/10/2023

DRAWN
NAME: T.M MOKOENA
SIGNATURE: [Signature] DATE: 17/10/2023

CHECKED
NAME: B.N NKOKO
SIGNATURE: [Signature] DATE: 17/10/2023

INFORMATION OFFICE CHECKED
NAME: TG MOENG
SIGNATURE: [Signature] DATE: 17/10/2023

DESIGN OFFICE APPROVAL
NAME: J.K MOLETSANE
SIGNATURE: [Signature] DATE: 17/10/2023

CONTRACT No.
JDA.10.198.A.2022

PROJECT No.
-

SHEET No.

PAPER SIZE
A1

SCALE

DATE:
31/01/2023

LOCATION OF PROJECT
WYNBERG, CITY OF JOHANNESBURG, REGION E OF METRO.

DESCRIPTION OF PROJECT:
WATT STREET PRECINCT (WYNBERG) PUBLIC ENVIRONMENT UPGRADES

DRAWING DESCRIPTION.
GATES AT NORTH AND SOUTH END OF STATION, GRILLE OVER OPENINGS

DRAWING No.
JDA-WATT-PEU/STG004/008S

PROJECT STATUS

INCEPTION DESIGN DEVELOPMENT TENDER DRAWING APPROVED CONSTRUCTION DRAWING AS BUILT DRAWING

PROJECT ENGINEER OF JOHANNESBURG DEVELOPMENT AGENCY (JDA):
NAME: [Signature] SIGNATURE: [Signature]
DATE: [Signature] DATE: [Signature]

INSPECTOR OF WORKS OF JOHANNESBURG DEVELOPMENT AGENCY:
NAME: [Signature] SIGNATURE: [Signature]
DATE: [Signature] DATE: [Signature]