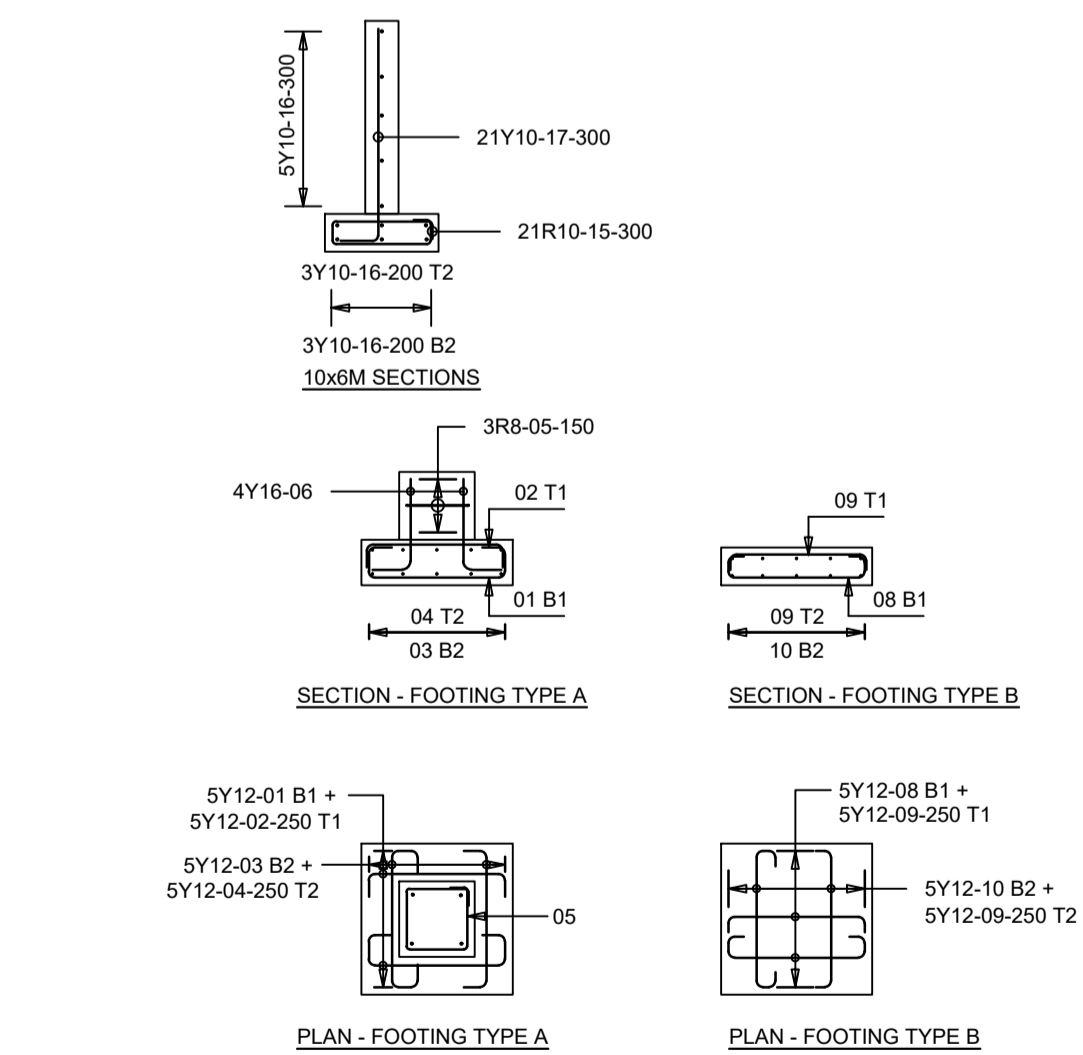
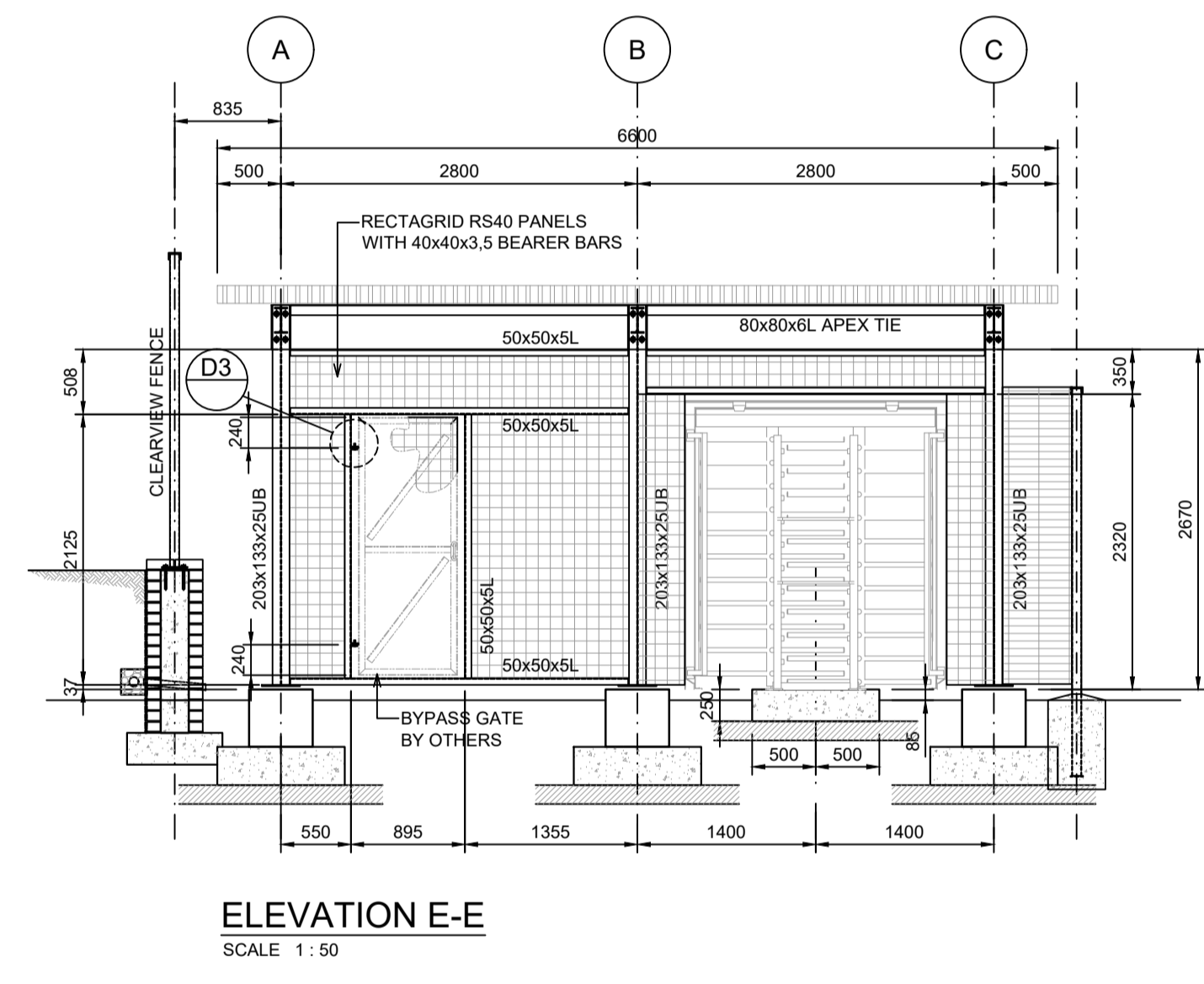
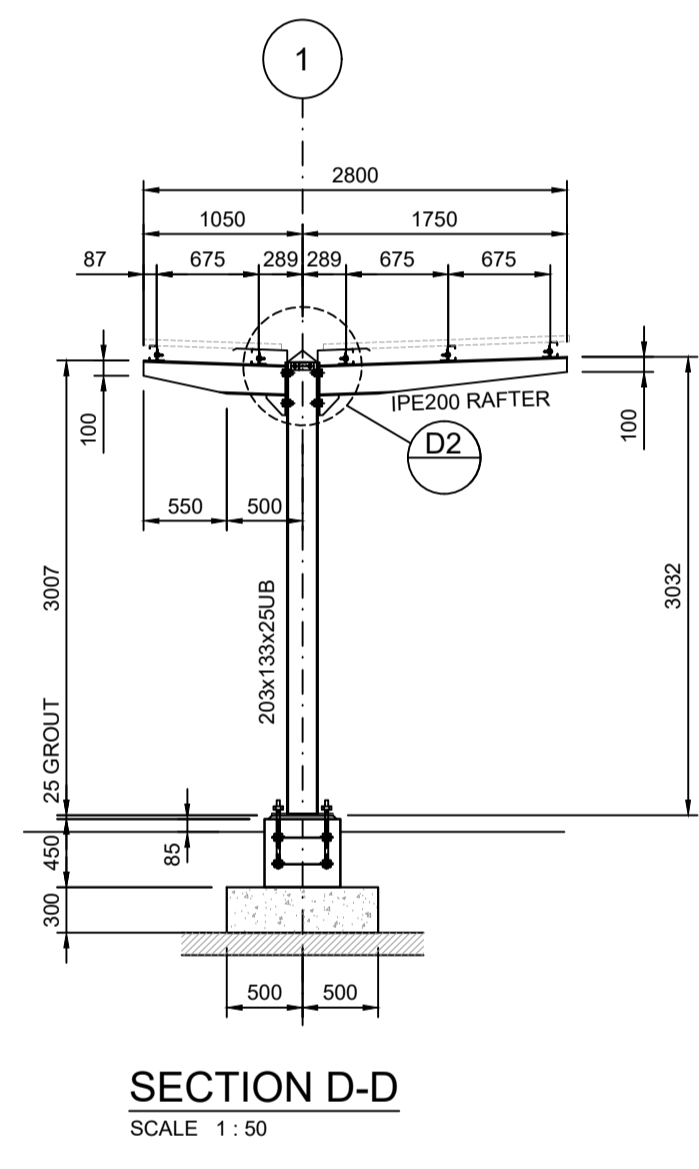
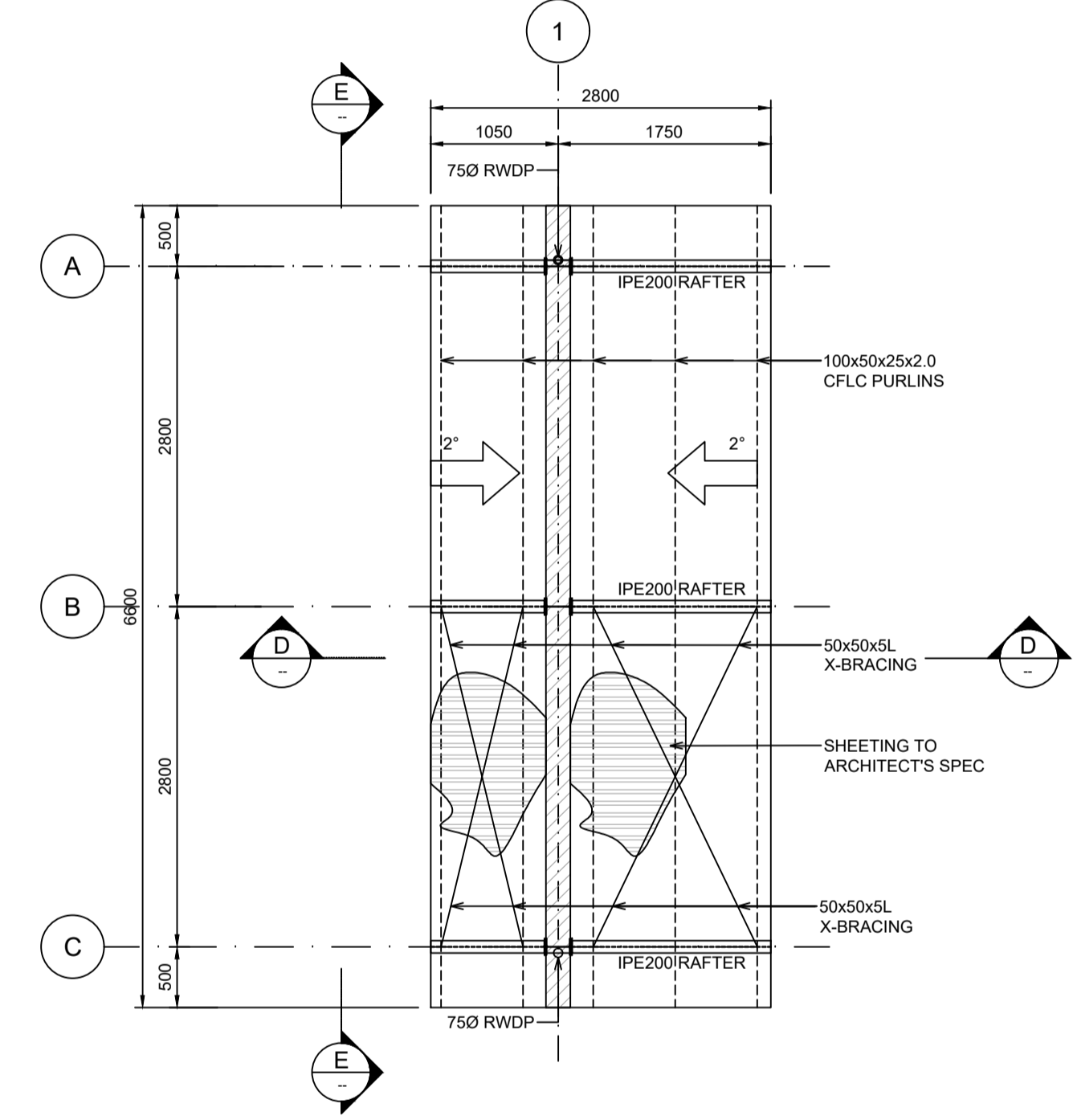
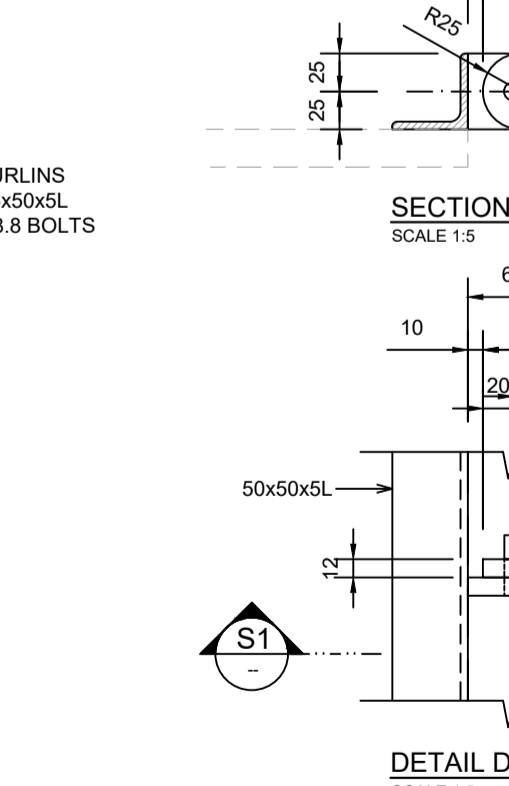
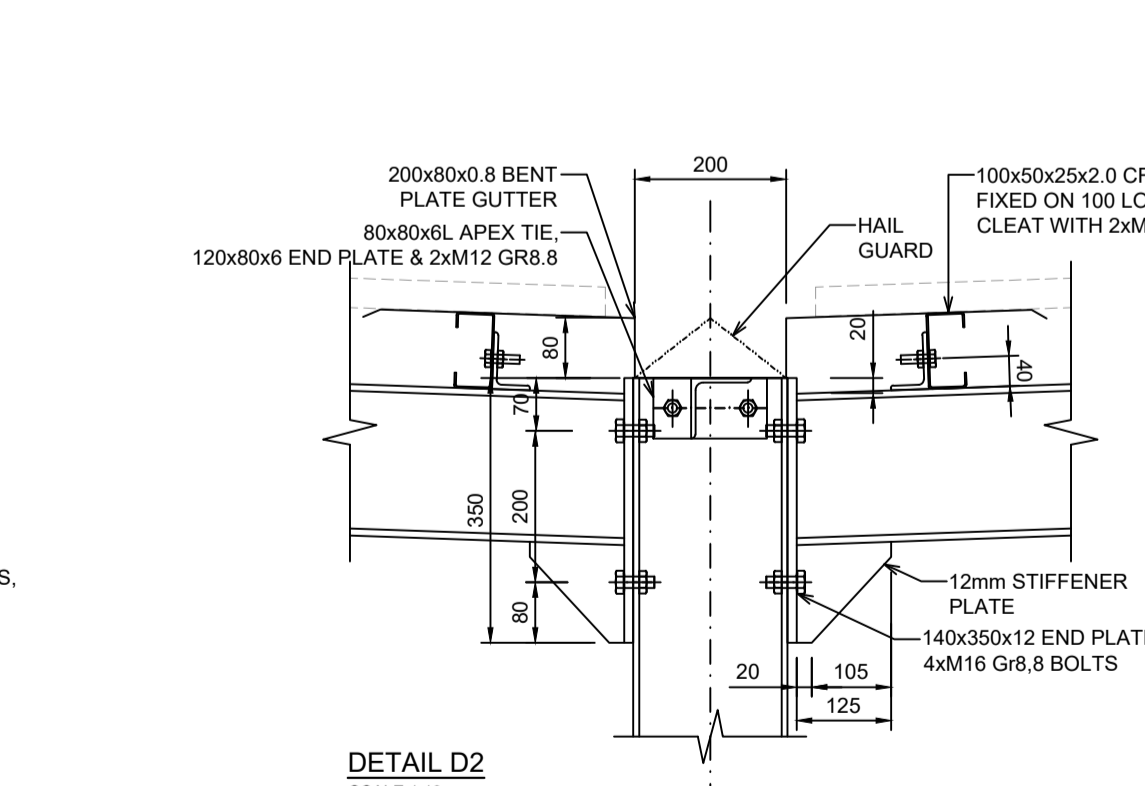
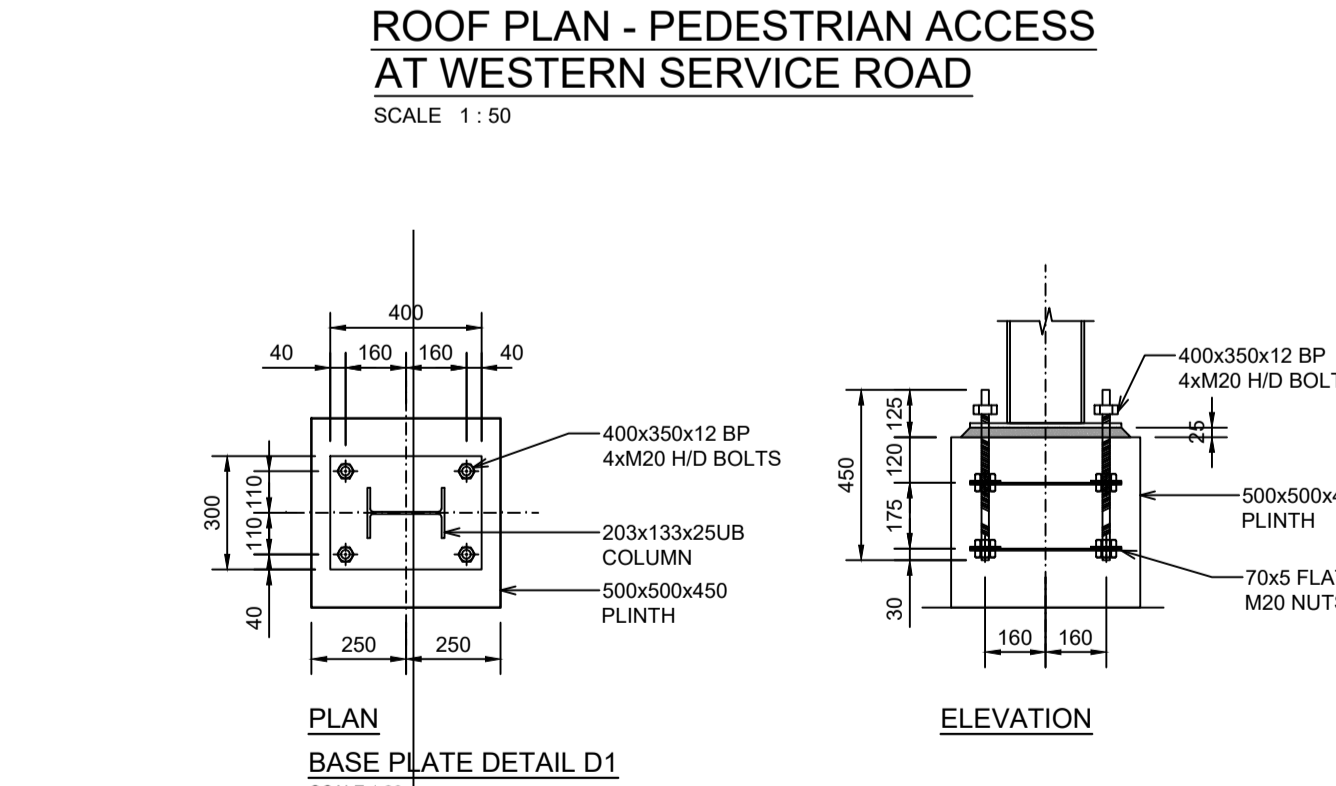


FOUNDATION PLAN - PEDESTRIAN ACCESS AT WESTERN SERVICE ROAD
SCALE 1:50



MEMBER	No OF	BARS PER MEMB	DIA.	LENGTH	TOTAL NUM-BER	MARK	S C	BENDING				
								A	B	C	D	E/r
FOOTING TYPE A	3	5	Y12	1500	15	01	55	150	200	900	200	150
	5	Y12	1150	15	02	38	150	900	150	170	150	
	5	Y12	1450	15	03	55	150	900	100	125	100	
	5	Y12	1150	15	04	38	150	900	150	170	150	
FOOTING TYPE B	3	R8	1750	9	05	60	400	400	400	400	600	
	4	Y16	800	12	06	37	250	600	600	600	600	
	5	Y12	1250	5	10	55	100	125	900	100	100	
RETAINING WALL	10	21	R10	1750	210	15	60	150	650	1400	1400	
	10	Y10	6500	100	16	20	6500	100	125	100	100	
	21	Y10	1650	210	17	37	250	1400	1400	1400	1400	
TOT								233	233	233	233	233
Date								2023-05-06				
Det. by								T.M				
Ref Dwg								---				
Job No								953				
FOOTING REINFORCEMENT								Revision 0				
Schedule No								R-005				



CONSULTANT'S DETAIL

KABE
KABE CONSULTING ENGINEERS
218 Dr VAN DER MERWE DRIVE
MONTANA PARK
0182
Tel: 087 809 0982
Fax: 086 516 4728
e-mail: info@kabe.co.za

DESIGNED
NAME: B.N NKOKO
SIGNATURE: [Signature] DATE: 17/10/2023

DRAWN
NAME: T.M MOKOENA
SIGNATURE: [Signature] DATE: 17/10/2023

CHECKED
NAME: B.N NKOKO
SIGNATURE: [Signature] DATE: 17/10/2023

INFORMATION OFFICE CHECKED
NAME: TG MOENG
SIGNATURE: [Signature] DATE: 17/10/2023

DESIGN OFFICE APPROVAL
NAME: J.K MCDISANE
SIGNATURE: [Signature] DATE: 17/10/2023

CONTRACT No.
JDA.10.198.A.2022

PROJECT No.
-

SHEET No.
-

PAPER SIZE
A1

SCALE
-

DATE:
15/06/2023

LOCATION OF PROJECT
WYNBERG, CITY OF JOHANNESBURG, REGION E OF METRO.

DESCRIPTION OF PROJECT:
WATT STREET PRECINCT (WYNBERG) PUBLIC ENVIRONMENT UPGRADES

DRAWING DESCRIPTION.
PEDESTRIAN ACCESS - WESTERN SERVICE ROAD
FOUNDATION & ROOF LAYOUT, SECTIONS AND DETAILS

DRAWING No.
JDA-WATT-PEU/STG004/005S

PROJECT STATUS

INCEPTION DESIGN DEVELOPMENT TENDER DRAWING APPROVED CONSTRUCTION DRAWING AS BUILT DRAWING

PROJECT ENGINEER OF JOHANNESBURG DEVELOPMENT AGENCY (JDA):
NAME: _____ SIGNATURE: _____
DATE: _____

INSPECTOR OF WORKS OF JOHANNESBURG DEVELOPMENT AGENCY:
NAME: _____ SIGNATURE: _____
DATE: _____

CLIENT'S DETAILS

JDA
Johannesburg Development Agency
3 Helen Joseph
NEWTOWN, JOHANNESBURG
2000
JOHANNESBURG DEVELOPMENT AGENCY

REVISIONS

NR	DATE	APPROVED	DESCRIPTION	PAR
0	15/06/2023	JKM	ORIGINAL	

NOTES:

- THIS DRAWING IS TO BE READ IN CONJUNCTION WITH SABS 1200 STANDARDIZED SPECIFICATIONS AND THE PROJECT SPECIFICATIONS.
- PRIOR TO THE START OF CONSTRUCTION, ALL SERVICES WHICH ARE TO BE CROSSED MUST BE EXPOSED BY HAND TO CONFIRM THEIR POSITIONS AND LEVELS. ANY DISCREPANCY IS TO BE IMMEDIATELY REPORTED TO THE ENGINEER.
- A FULL SET OF MATERIAL TESTS (COMPACTION, CBR & UCS) REFLECTING COMPLIANCE WITH THE SPECIFICATIONS IS TO BE SUBMITTED TO THE ENGINEER FOR ONWARD TRANSMISSION TO THE EMPLOYER.
- INTERSECTION SERVICES TO BE EXPOSED, POSITIONS RECORDED AND ANY CLASHES IN POSITION WITH THE WORKS TO BE REPORTED TO THE ENGINEER PRIOR TO THE COMMENCEMENT OF CONSTRUCTION.