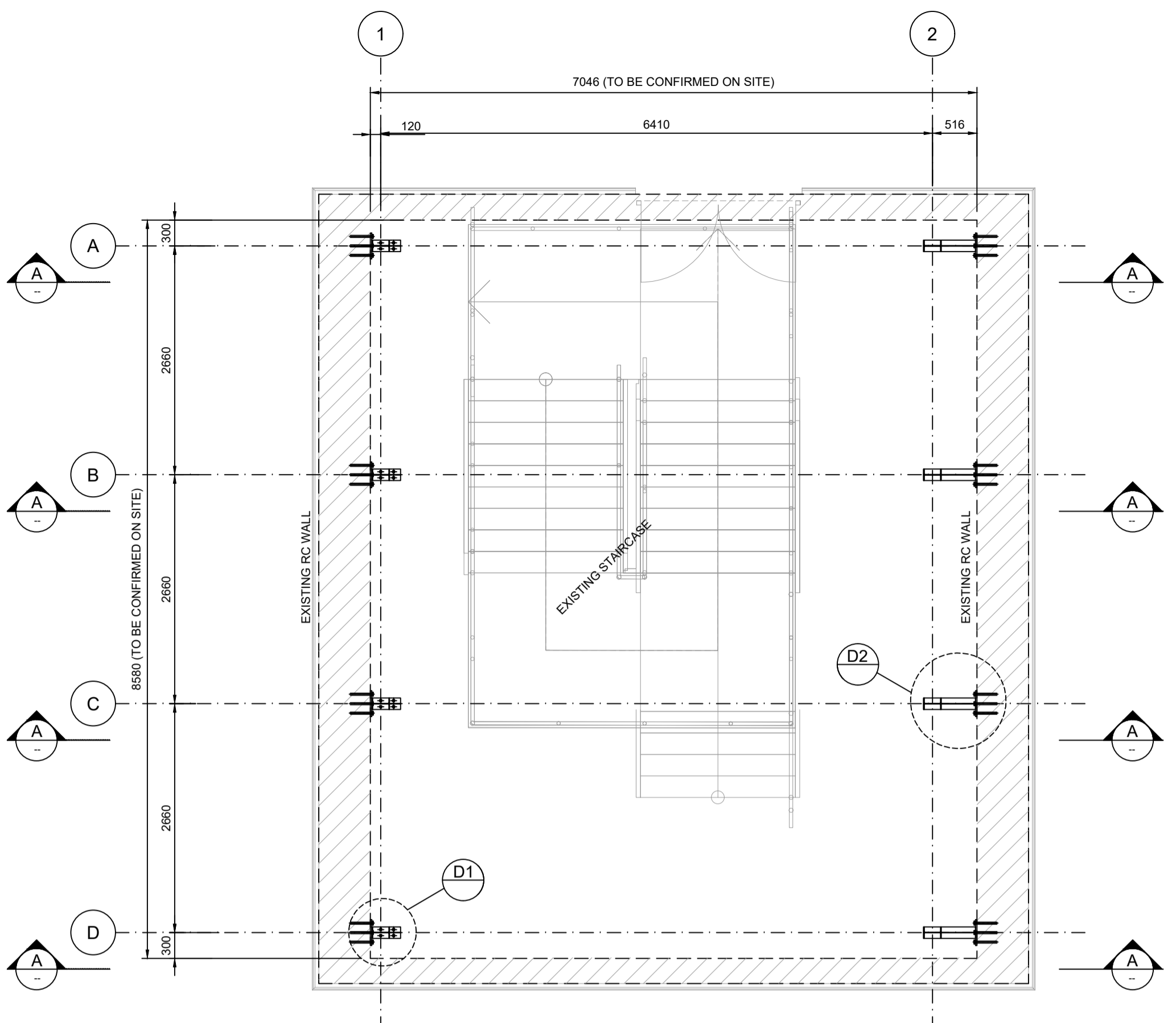
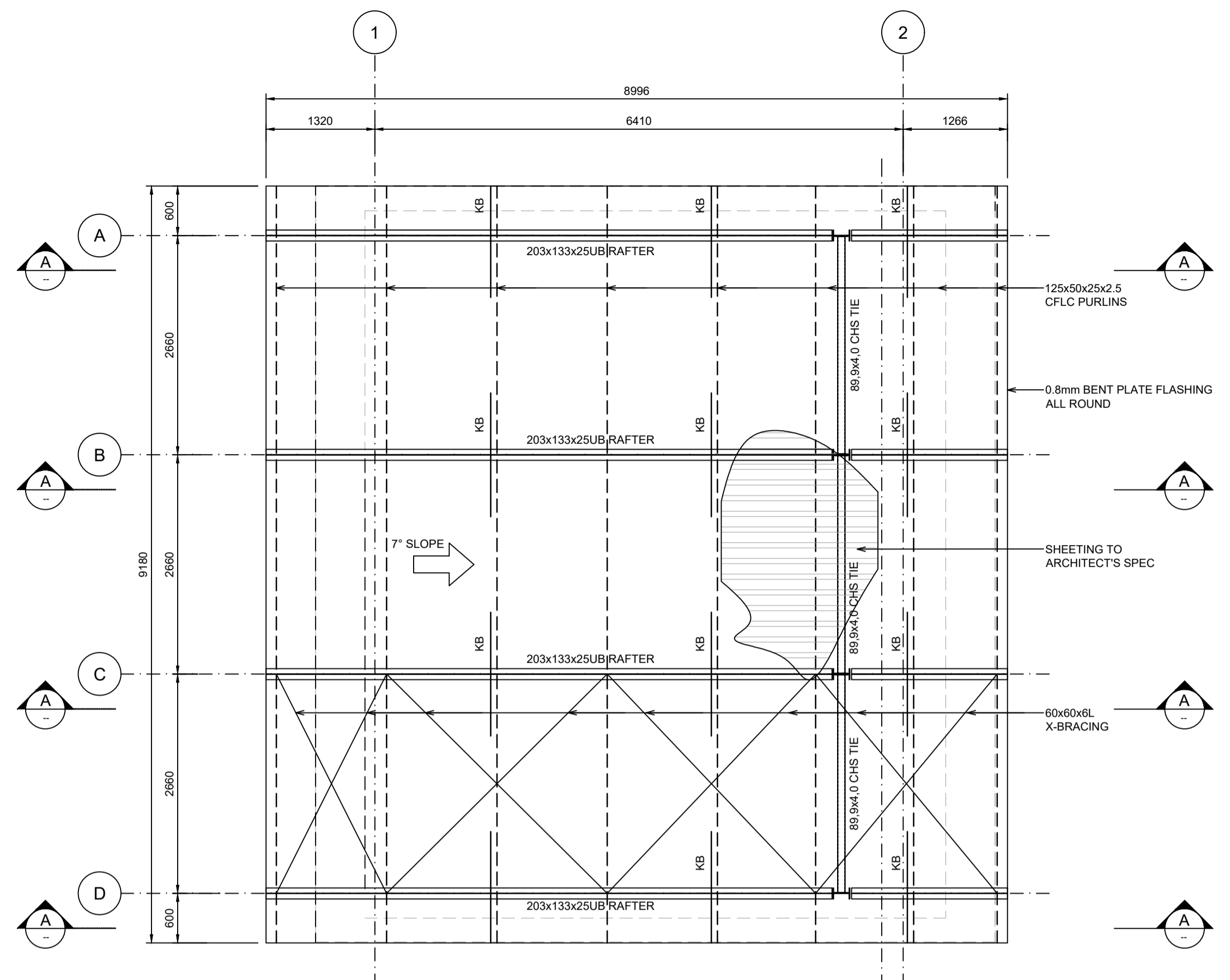


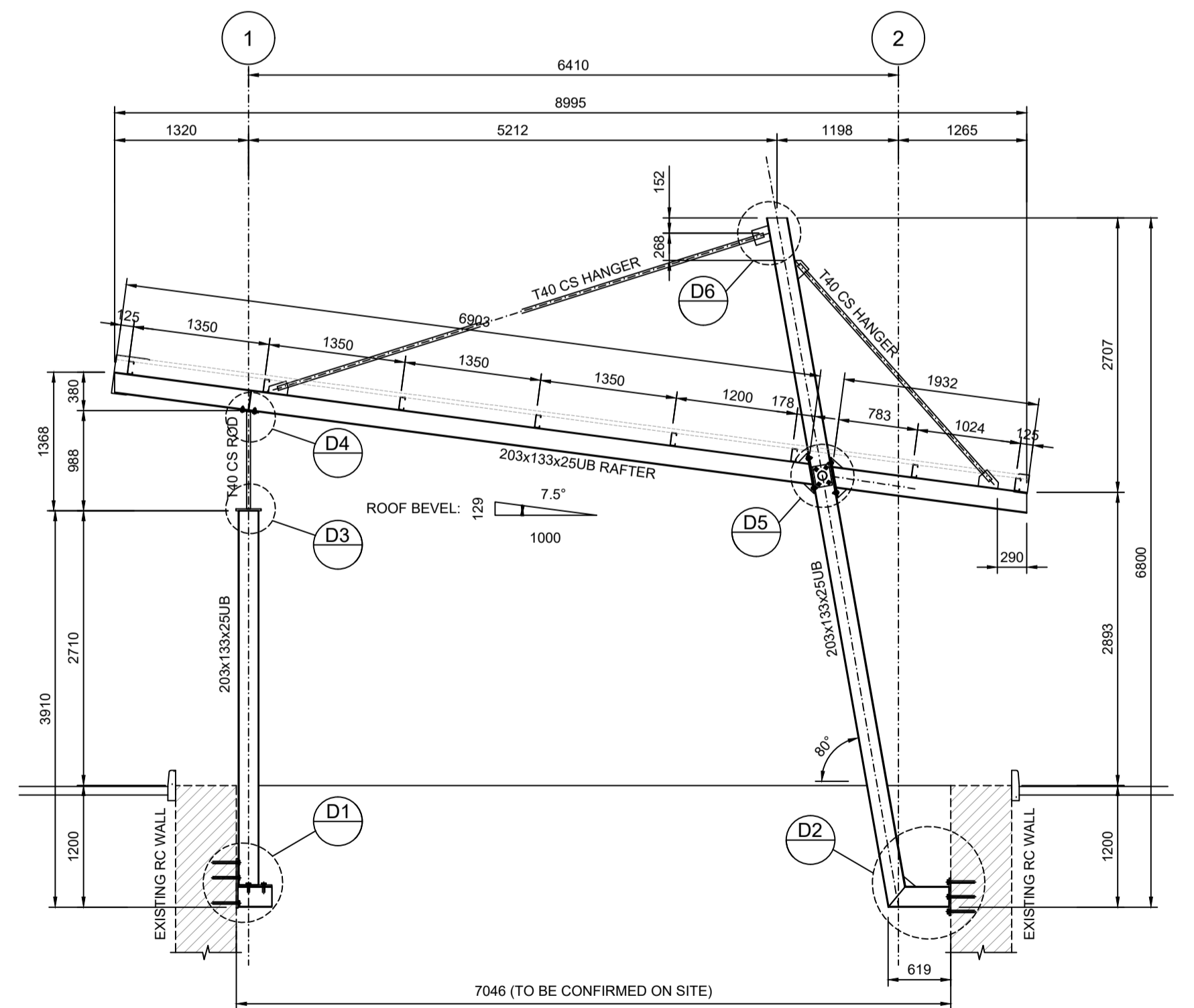
NOTE:
ALL DIMENSIONS TO BE CONFIRMED ON SITE PRIOR TO COMENCEMENT OF CONSTRUCTION OR FABRICATION



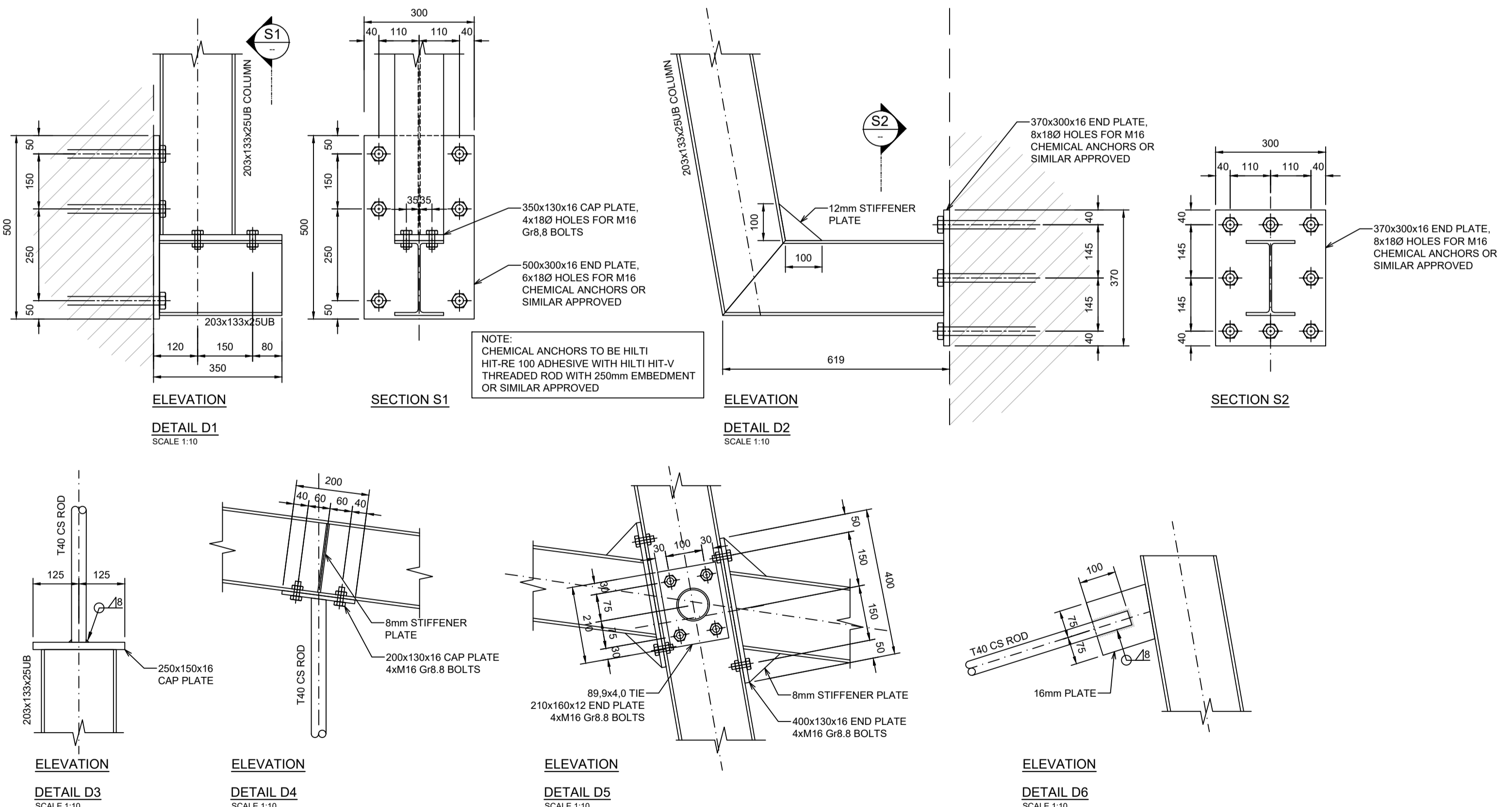
FOUNDATION PLAN - STAIR TOWER AT SOUTH ROAD
SCALE 1:50



ROOF PLAN - STAIR TOWER AT SOUTH ROAD



SECTION A-A
SCALE 1:50



CLIENT'S DETAILS

3 Helen Joseph
NEWTOWN, JOHANNESBURG
2000
JOHANNESBURG DEVELOPMENT AGENCY

REVISIONS

NR	DATE	APPROVED	DESCRIPTION	PAR
0	15/06/2023	JKM	ORIGINAL	

NOTES:

- THIS DRAWING IS TO BE READ IN CONJUNCTION WITH SABS 1200 STANDARDIZED SPECIFICATIONS AND THE PROJECT SPECIFICATIONS.
- PRIOR TO THE START OF CONSTRUCTION, ALL SERVICES WHICH ARE TO BE CROSSED MUST BE EXPOSED BY HAND TO CONFIRM THEIR POSITIONS AND LEVELS. ANY DISCREPANCY IS TO BE IMMEDIATELY REPORTED TO THE ENGINEER.
- A FULL SET OF MATERIAL TESTS(COMPACTION, CBR & UCS) REFLECTING COMPLIANCE WITH THE SPECIFICATIONS IS TO BE SUBMITTED TO THE ENGINEER FOR ONWARD TRANSMISSION TO THE EMPLOYER.
- INTERSECTION SERVICES TO BE EXPOSED, POSITIONS RECORDED AND ANY CLASHES IN POSITION WITH THE WORKS TO BE REPORTED TO THE ENGINEER PRIOR TO THE COMMENCEMENT OF CONSTRUCTION.

CONSULTANT'S DETAIL

KABE
CONSULTING ENGINEERS
218 Dr VAN DER MERWE DRIVE
MONTANA PARK
0182
Tel: 087 809 0982
Fax: 086 516 4728
e-mail: info@kabe.co.za

DESIGNED
NAME: B.N NKOKO
SIGNATURE: [Signature] DATE: 17/10/2023

DRAWN
NAME: T.M MOKOENA
SIGNATURE: [Signature] DATE: 17/10/2023

CHECKED
NAME: B.N NKOKO
SIGNATURE: [Signature] DATE: 17/10/2023

INFORMATION OFFICE CHECKED
NAME: TG MOENG
SIGNATURE: [Signature] DATE: 17/10/2023

DESIGN OFFICE APPROVAL
NAME: JK MOKOISANE
SIGNATURE: [Signature] DATE: 17/10/2023

CONTRACT No.
JDA.10.198.A.2022

PROJECT No.
-

SHEET No.

PAPER SIZE
A1

SCALE

DATE:
15/06/2023

LOCATION OF PROJECT
WYNBERG, CITY OF JOHANNESBURG, REGION E OF METRO.

DESCRIPTION OF PROJECT:
WATT STREET PRECINCT (WYNBERG) PUBLIC ENVIRONMENT UPGRADES

DRAWING DESCRIPTION,
PEDESTRIAN ACCESS - NEW STAIRCASE AT ROAD LEVEL
FOUNDATION & ROOF LAYOUT, SECTIONS AND DETAILS

DRAWING No.
JDA-WATT-PEU/STG004/007S

PROJECT STATUS

INCEPTION DESIGN DEVELOPMENT TENDER DRAWING APPROVED CONSTRUCTION DRAWING AS BUILT DRAWING

PROJECT ENGINEER OF JOHANNESBURG DEVELOPMENT AGENCY (JDA):
NAME: _____ SIGNATURE: _____
DATE: _____

INSPECTOR OF WORKS OF JOHANNESBURG DEVELOPMENT AGENCY:
NAME: _____ SIGNATURE: _____
DATE: _____

REVISION 0